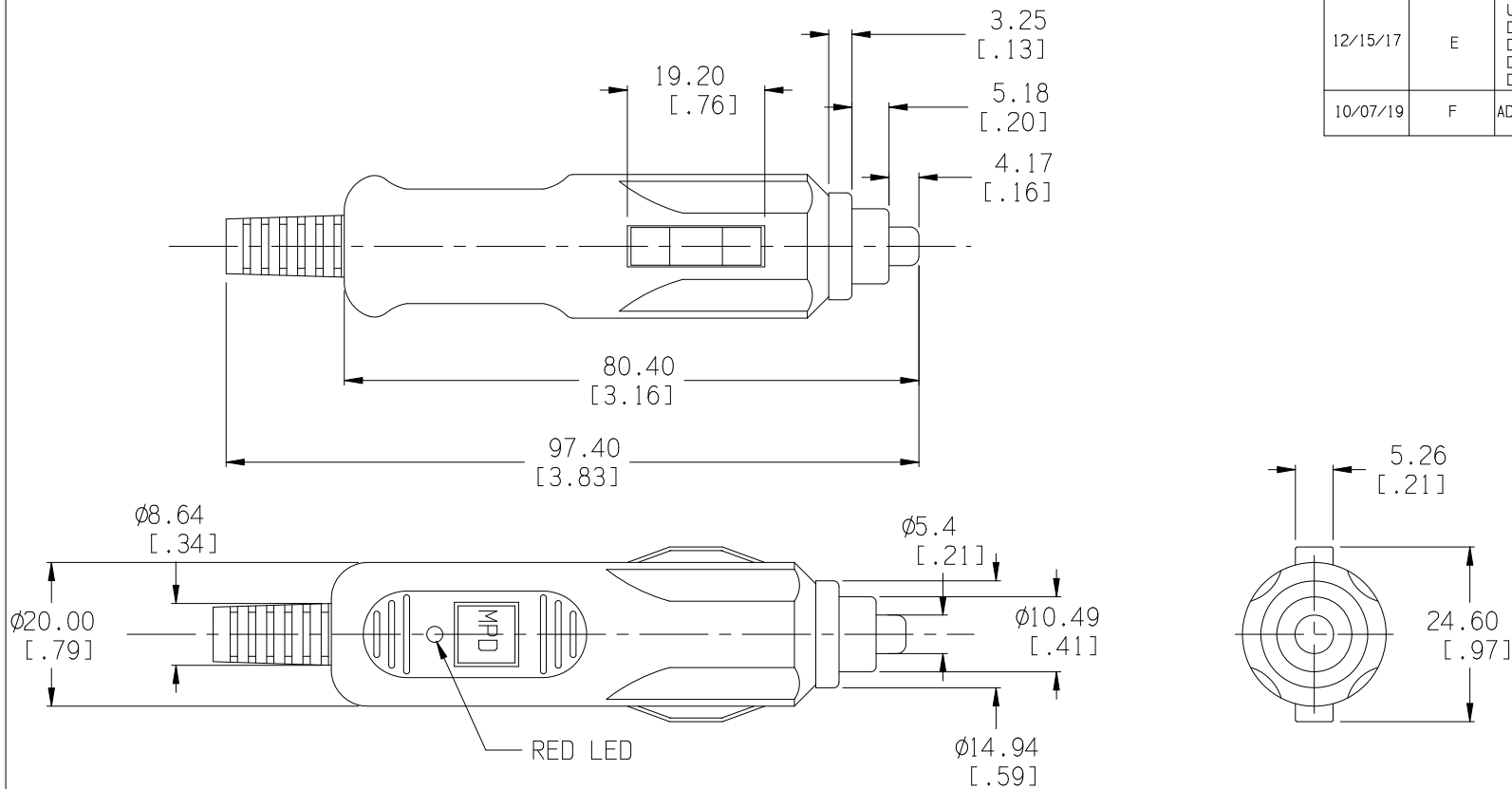



| Date | SYM | REVISION RECORD | AUTH | DR. | CK. |
|----------|-----|--|------|------|-----|
| 12/01/07 | C | UL94V-HB WAS UL94V-0 | T.B. | B.S. | |
| 08/28/14 | D | UPDATED TO ROHS 2 COMPLIANT | T.B. | B.S. | |
| 12/15/17 | E | UPDATED SPECIFICATIONS DIM. 80.40 WAS 80.26 DIM. 24.60 WAS 24.20 DIM. 97.40 WAS 97.00 DIM. 20.00 WAS 20.10 | T.B. | B.S. | |
| 10/07/19 | F | ADDED RING MATERIAL | T.B. | B.S. | |



SPECIFICATION:

BODY: HIGH IMPACT ABS, UL94-HB, FILE NO. E56070(S)
 COLOR: GRAY
 CENTER CONTACT: BRASS, NICKEL PLATED
 SLIDING CONTACTS: PHOS. BRONZE, NICKEL PLATED
 RING: BRASS, NICKEL PLATED
 SPRING: PHOS. BRONZE WIRE
 WIRE STRAIN RELIEF: PVC
 LED: RED, 3mm, 12V
 FUSE: 250V, 3 AMP, 3AG 6.35mm x 30mm (1/4" X 1 1/4")
 RATED AT 18 HOURS, CONTINUOUS DUTY
 5 AMP'S MAX WITH CORRECT FUSE
 ROHS COMPLIANT

| | | | |
|--------------------|--|------------------|----------------|
| Tolerance (Inches) |  Memory Protection Devices, Inc. 200 Broad Hollow Road, Farmingdale, New York 11735 | | |
| Decimal | ±.5 (.020) | Scale | Drawn By B.S. |
| Fractional | ± .8 (.030) | Approved By T.B. | |
| Angular | ± 3° | Date | Drawing Number |
| | | 10/07/19 | APP-002 |

Title CIGARETTE PLUG FOR 21 OR 22.2mm DIA. SOCKETS WITH RED LED, 3 AMP FUSE