

Ultra Sub-Miniature Snap Action

## Specifications

UL Electrical Ratings	3A@125/250VAC, General Purpose, T85, 10K cycles	Actuation Forces	100 ± 40gF
	3(0.5)A@125/250VAC, Resistive-Motor, T85, 10K cycles	Actuator Full Travel	1.0 ± 0.3mm
	3A@30VDC, Resistive, T85, 10K cycles	Dielectric Strength	500Vrms min. between contacts
Electrical Life	10,000 cycles, typical	Insulation Resistance	≥ 100MΩ min @ 250VDC
Mechanical Life	100,000 cycles, typical	Operating Temperature	-40°C to +85°C
Contact Resistance	≤ 50mΩ initial	Storage Temperature	-40°C to +85°C

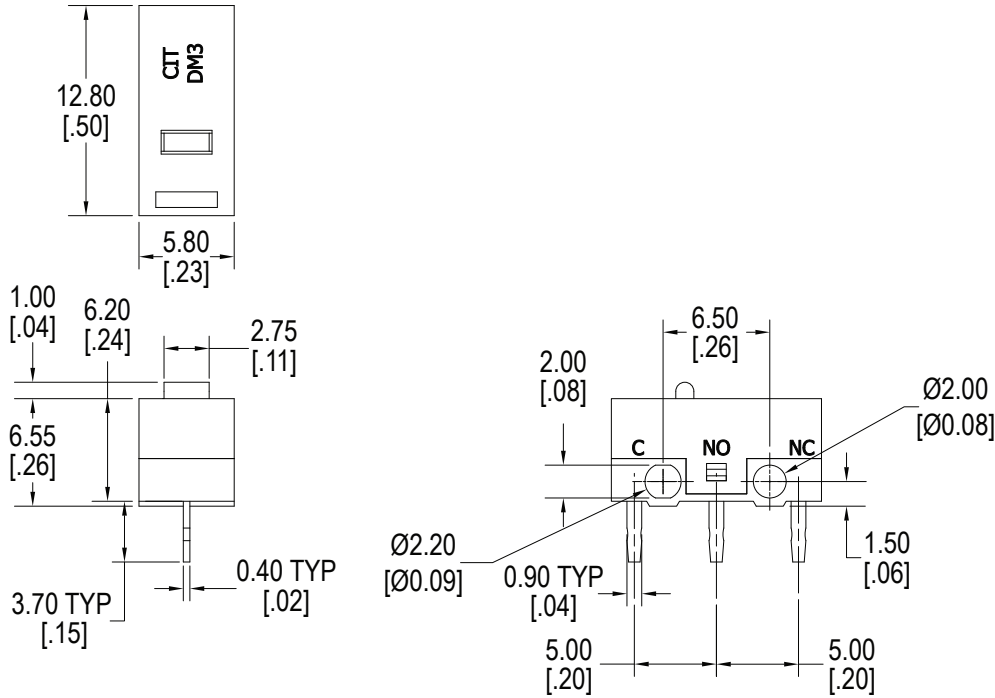
## Materials

Actuator	Polybutylene Terephthalate (PBT), UL94-V0
Housing / Cover	Polybutylene Terephthalate (PBT), UL94-V0
Contacts	Copper Alloy
Terminals	Copper Alloy, Silver Plated

## Ordering Information

1. Series	DM3	C	Q	F100	3	L00
DM3						
2. Circuit	C = SPDT					
3. Contact Material	Q = Silver					
4. Operating Force without lever	F100 = 100gF					
5. Termination	2 = Solder Lug 3 = PCB, standard 4 = Right Side PCB 5 = Left Side PCB					
6. Actuator (Lever) <i>Contact factory for other lever options</i>	L00 = Pin plunger (no lever) L01 = Hinge lever, 13.3mm L03 = Roller lever, standard L04 = Simulated roller, standard					

## Dimensions

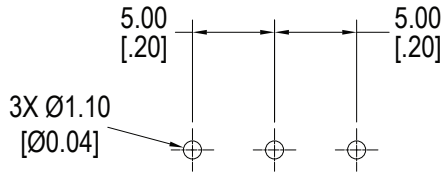


## Switch Characteristics

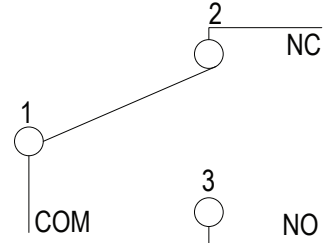
Actuators (Levers)	Operating Force (grams)	Release Force (grams) min.	Free Position all forces (mm)	Pre-Travel (PT) all forces max (mm)	Operating Position (OP) all forces (mm)	Over Travel min	Movement Differential all forces max (mm)
L00	100±40	50gF	7.50±0.3	0.7	5.50±0.5	0.1	0.2
L01	35±20	15gF	8.75±0.3	2.2	7.15±0.5	0.9	0.7
L03	40±20	15gF	14.10±0.5	1.8	12.90±0.8	0.8	0.6
L04	40±20	15gF	10.25±0.5	1.8	9.00±0.8	0.9	0.6

\*Movement Differential (MD) : Distance or angle from the operating position to the release position.

### Panel Mounting

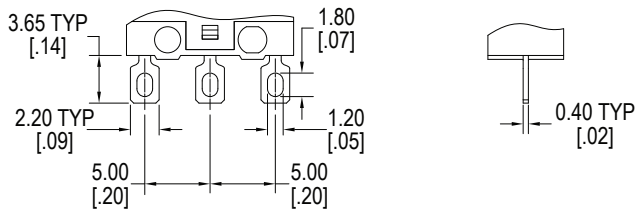


### Schematic

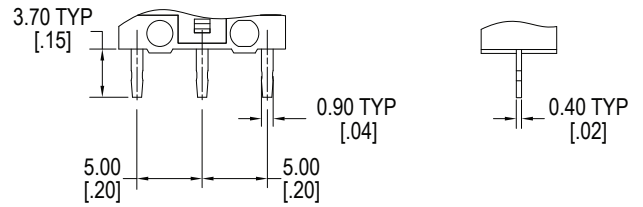


### Terminal Options

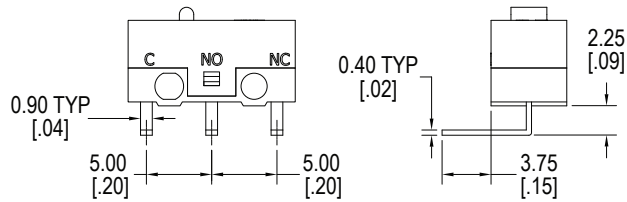
#### Solder Lug



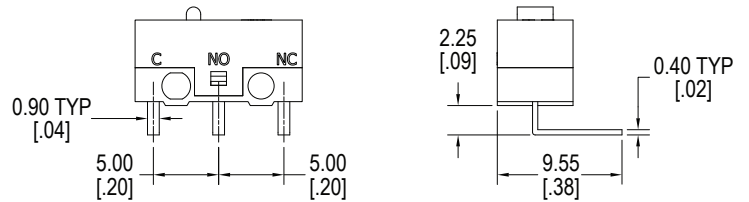
#### PC Pin



#### Left Side PC Pin

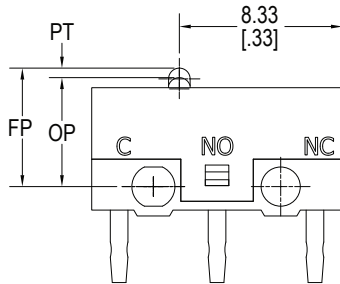
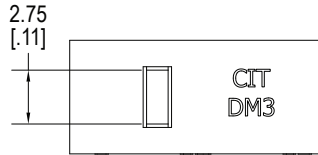


#### Right Side PC Pin

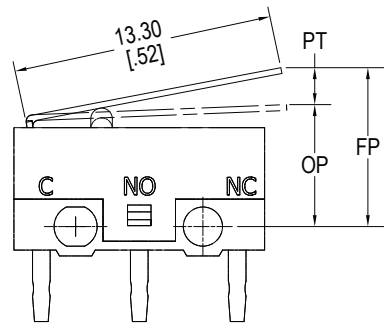
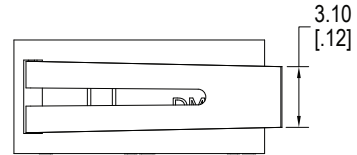


**Lever Options**

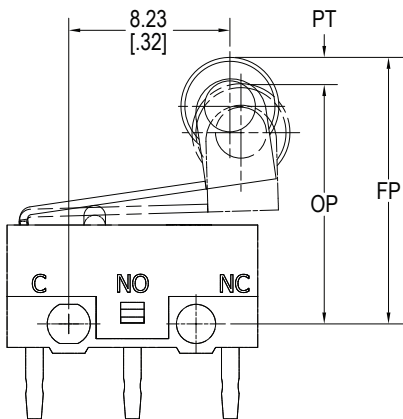
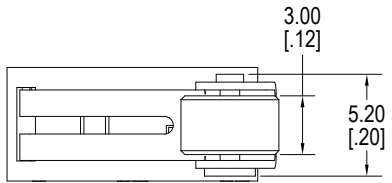
L00



L01



L03



L04

